

QUICK INSTALLATION GUIDE

Follow these quick steps to install your iE816 Expansion Module/iE801 Expansion Speaker Module.

Thank you for choosing the iE816 Expansion Module/iE801 Expansion Speaker Module. This guide describes how to attach the iE816/iE801 to the iD808 Deskstation or to a Deskstation already fitted with an iE816/iE801.

1. VERIFY THE FOLLOWING PACKAGE CONTENTS

- iE816 Expansion Module/iE801 Expansion Speaker Module
- Metal bracket (pre fitted to the rear of iE816 and/or supplied loose for the iE801)
- Interconnection Board
- Three (M3 x 6mm) screws
- Cable Tidy Clip
- Power Link Cable (only supplied with each iE801)

2. REQUIRED TOOLS

Please ensure you have access to the tools below:

- Pozidriv screw driver (size:1)
- Allen keys (sizes 2.5 mm and 3.0 mm)

3. BEFORE YOU START

Before you start please ensure:

The mains power and cabling is removed from the iD808 Deskstation or any existing iE801 (if fitted).

1. Remove microphone from the iD808 Deskstation.

WARNING! Please observe anti-static precautions when connecting the interconnection board to both iE816/iE801 Module(s) and iD808.

INSTALLING THE iE816/iE801 MODULE

1. Remove side end cheek and leg from the iD808, iE816 or iE801

1. Remove the two **A** screws (using the 3 mm Allen key) from the side of the iD808, iE816 or iE801 side end cheek. Refer to Fig. A below. Please discard these screws.

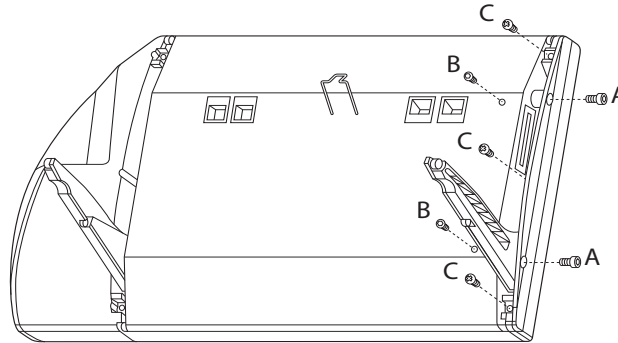


Fig. A (Illustration of an iD808)

2. Remove the three **C** screws (if fitted) (using the Pozidriv screw driver, size 1), and discard them. Refer to Fig. A above.
3. Remove the two **B** screws (using the 2.5 mm Allen key) located on the rear of the iD808, iE816 or iE801. Refer to Fig. A above. Please retain screws for later use.
4. Push side end cheek out and remove from the iD808, iE816 or iE801. Please discard side end cheek.

2. Prepare the iE816/iE801 Module

1. Remove two **D** screws (using the 2.5 mm Allen key) and bracket (if fitted). Refer to Fig. B. Please retain screws and metal bracket for later use. Please note a bracket is not attached to an iE801, the bracket is supplied loose. Please remove the two **D** screws from the iE801, and retain for later use.

WARNING! Do not remove the centre screw with the security head.

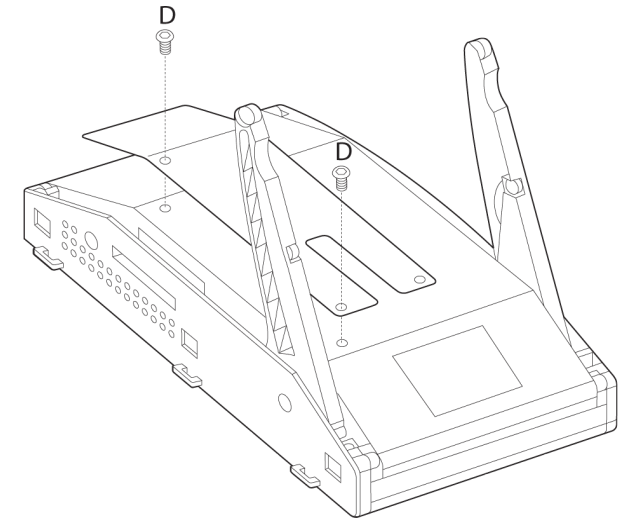


Fig. B (Illustration of an iE816)

2. Place interconnection board in iE816/iE801 slot. Ensure leg position does not block access to the slot beforehand. Refer to Fig. C below.

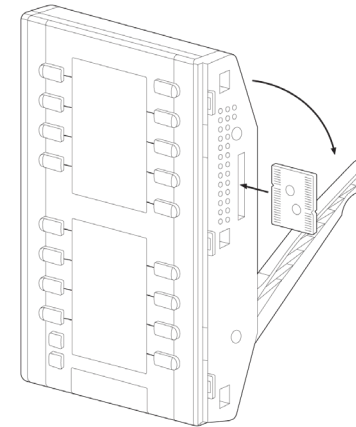


Fig. C (Illustration of an iE816)

IMPORTANT! Please note the above illustration is a representation, and your module may differ slightly.

3. Align and connect both iE816/iE801 and iD808

1. Put both the iE816/iE801 and iD808 face down alongside each other.
2. Align the iE816/iE801 with the iD808 by raising and sliding the interconnection board into the slot (refer to Fig. D and E).

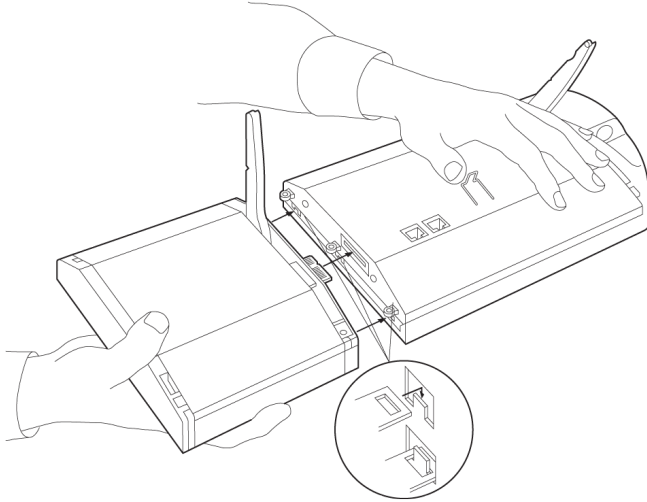


Fig. D (Illustration of iD808 and iE816/iE801)

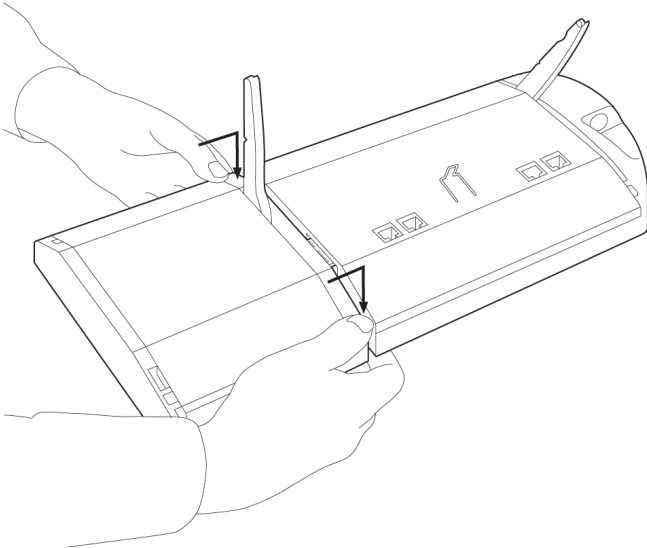


Fig. E (Illustration of iD808 and iE816/iE801)

WARNING! Failure to align and connect both the iE816./iE801 and iD808 can result in damage to both units.

3. Add the three E screws (using the Pozidriv screw driver) at the rear of the iD808 side end cheek to connect it to the iE816/iE801. Refer to Fig. F below). These three screws are supplied in a bag.

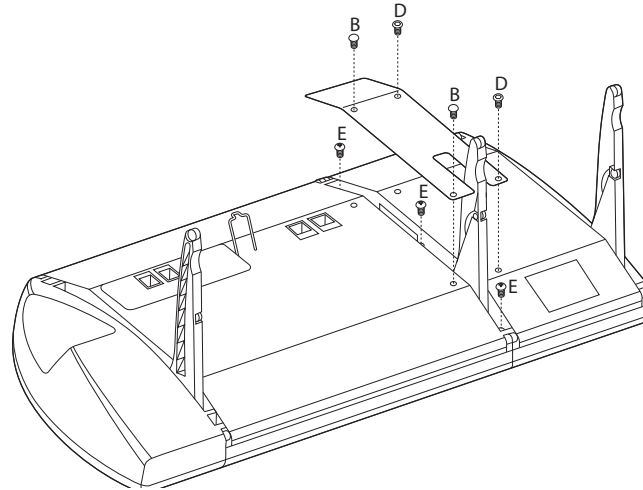


Fig. F (Illustration of iD808 and iE816/iE801)

4. Attach the bracket to both the iE816/iE801 and iD808 or iE816/iE801 and iE816/iE801 (attached to an iD808)

1. Attach bracket to the rear of both the iE816/iE801 and iD808 or iE816/iE801 and iE816/iE801 (attached to an iD808) using the four screws (using the 2.5 mm Allen key). Refer to Fig. F above. These screws (screws B and D) were retained.
2. Re-attach microphone and re-power the iD808 or iE801 (if attached).

CONNECTING POWER TO THE iE801

When an iE801 forms part of an iD808s configuration, the iD808 power adapter needs to be removed from the iD808 deskstation, and re-connected to the iE801. It needs to be connected to the iE801 located on the far right hand side, when looking at the units from the back. The iD808 will then receive its power from the iE801 using the power link cable. A power link cable is required for each iE801.

1. Insert the cable tidy clip into the hole in the bracket.
2. Dress all data, handset extension, power link cable and power leads through these clips in the direction of your desk cable entry point.

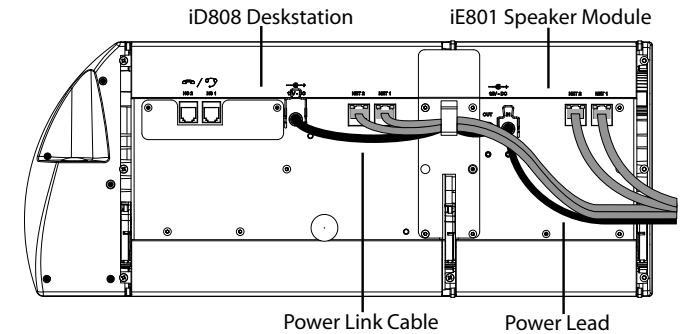


Fig. G (Illustration of an iD808 and iE801)

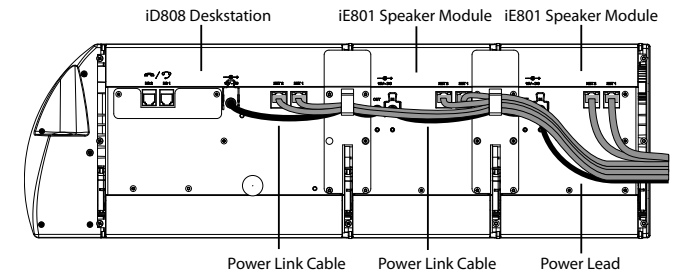


Fig. H (Illustration of an iD808 and two iE801s)

Customer Support Information

Thank you for selecting Speakerbus. If you have any problems operating the Speakerbus product, first seek help from your System Administrator. If necessary, contact your local System Administrator, or alternatively email the Speakerbus Global Helpdesk at customer.support@speakerbus.com.

© Speakerbus Technology Limited 2019